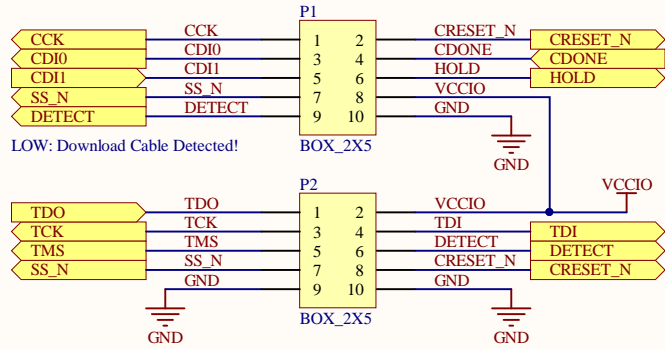
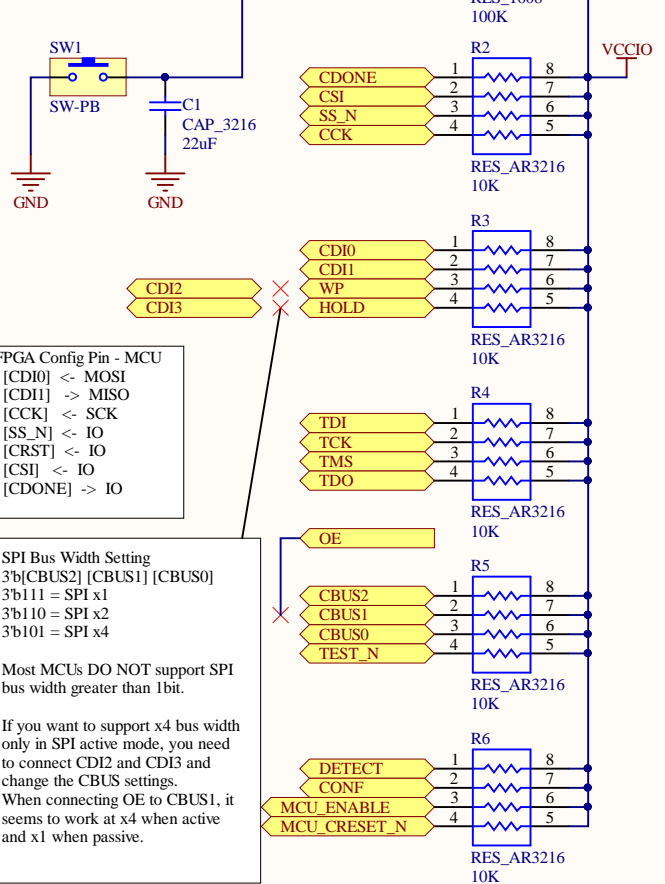


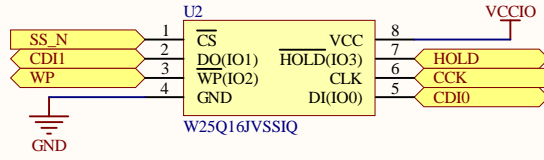
SPI / JTAG Header



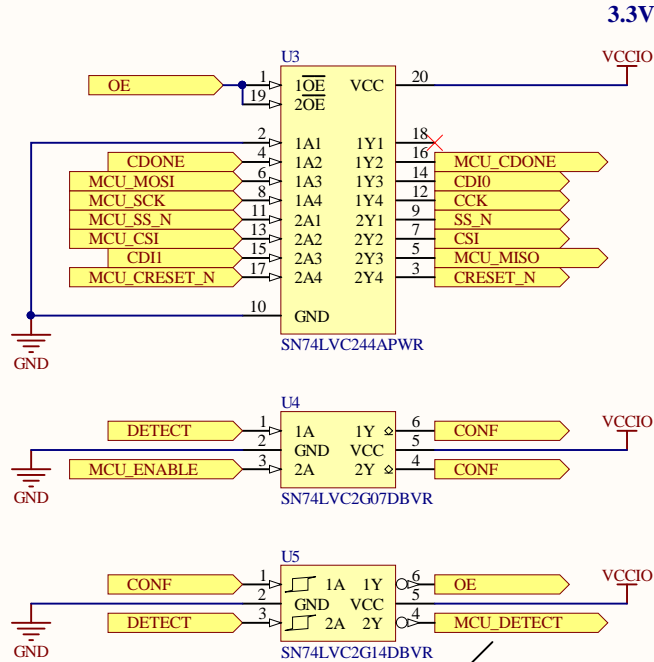
Pull-up



SPI Flash (for SPI Active Mode)

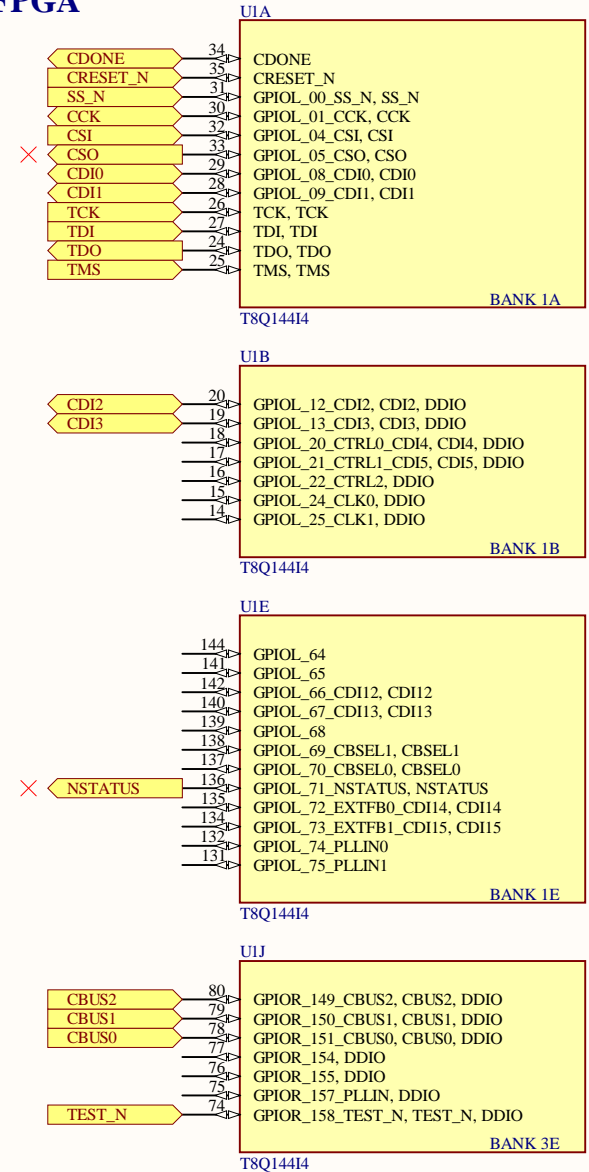


Opt : MCU Interface (for SPI Passive Mode x1)



Active HIGH

FPGA



Title		
Size	Number	Revision
A4		
Date:	2024/05/15	Sheet of
File:	C:\Users\...SPI_Active_and_Passive_with_Bu...Doc	