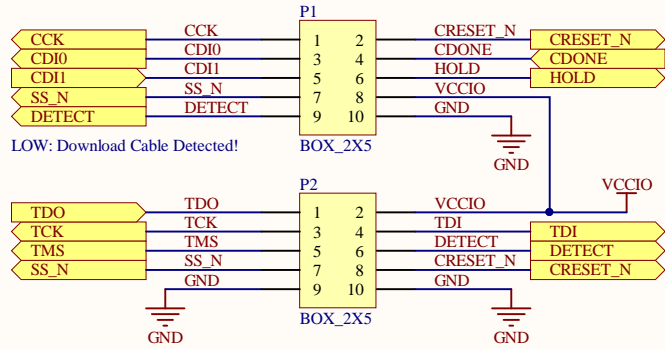
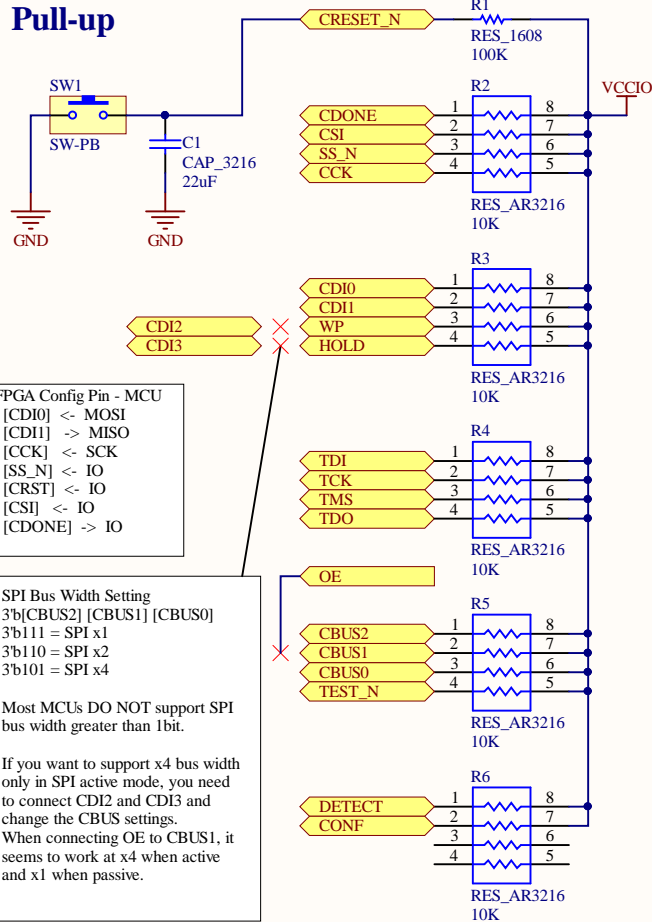


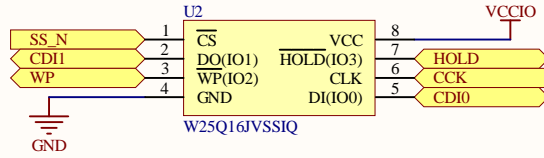
SPI / JTAG Header



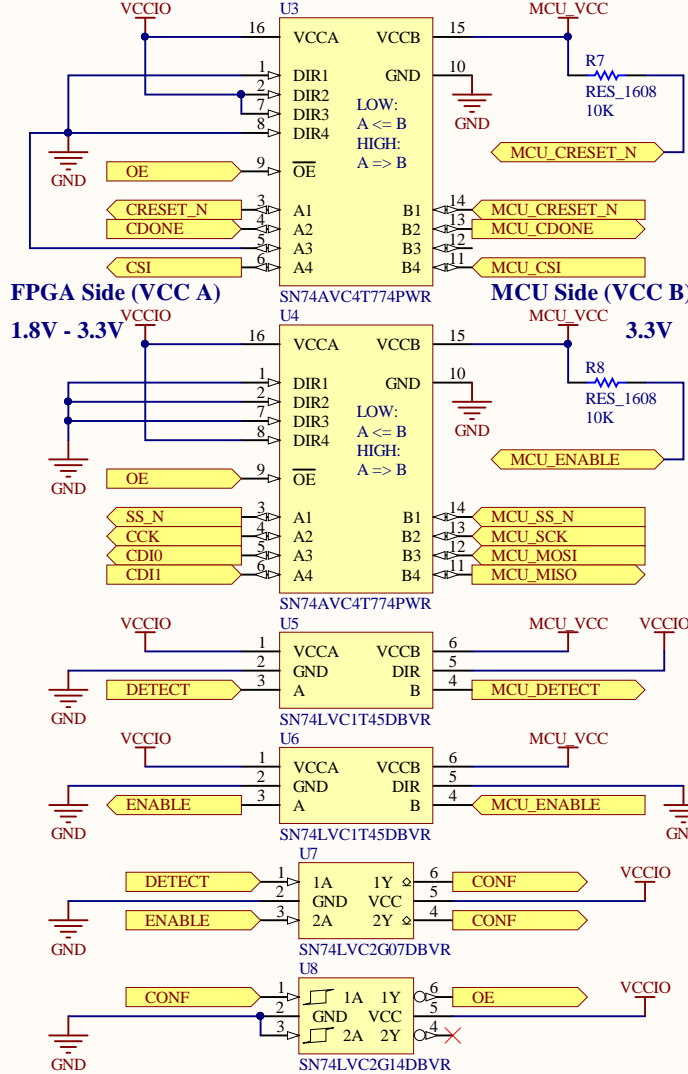
Pull-up



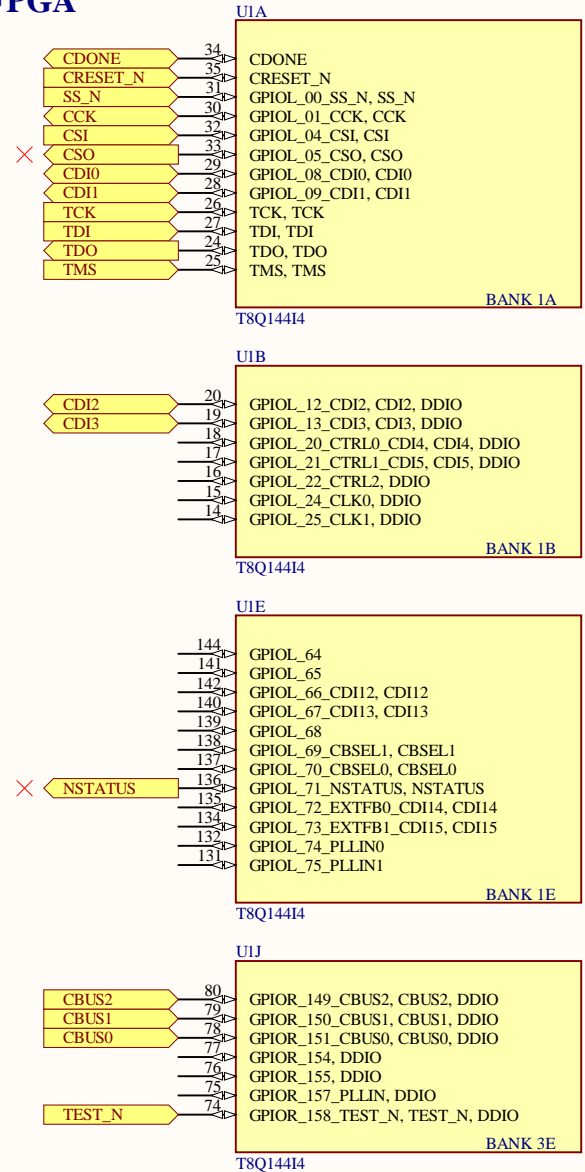
SPI Flash (for SPI Active Mode)



Opt : MCU Interface (for SPI Passive Mode x1)



FPGA



Title		
Size	Number	Revision
A4		
Date:	2024/05/15	Sheet of
File:	C:\Users\...SPI Active and Passive with Led\ShiB\SchDoc	