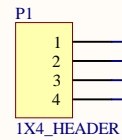


HA JEM-A MCU Interface [IFU <====> MCU]

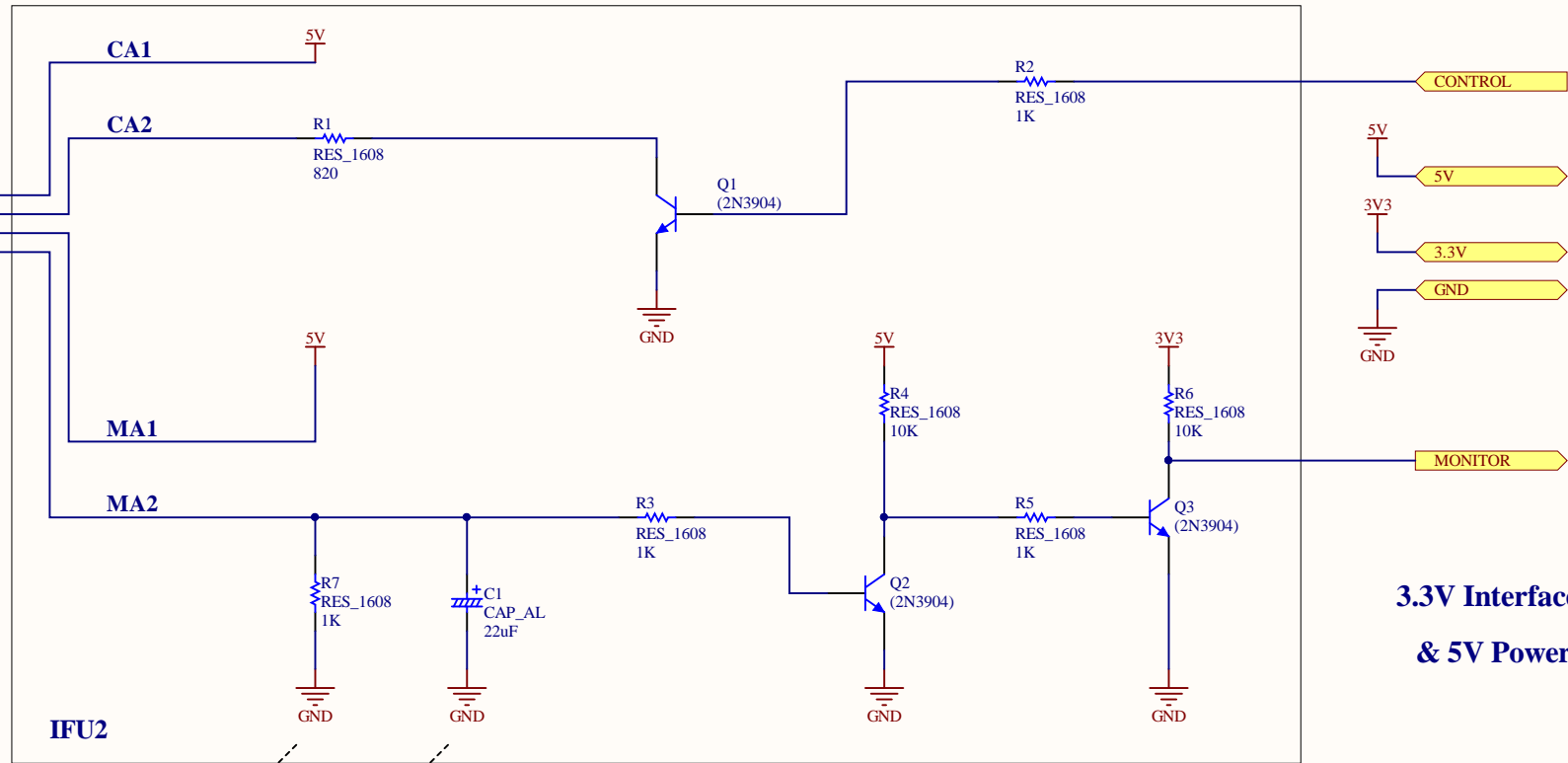
to IFU

to MCU

IFU



WTF47204WK
WTF47214WK
IFU TC1 <====> CA1
IFU TC2 <====> CA2
IFU TM1 <====> MA1
IFU TM2 <====> MA2



Optional (Dynamic)
R7, C1

HTLAB.NET

Title		
HA JEM-A MCU Interface		
Size	Number	Revision
A4		
Date:	2024/11/06	Sheet of
File:	C:\Users\... \JEM-A_HA_MCU_IFU_Interface_SchDoc	By: