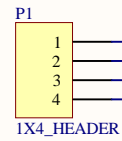


HA JEM-A MCU Interface [HA <====> MCU]

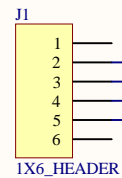
to HA Connector (1.9m Cable)

to MCU

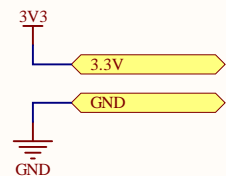
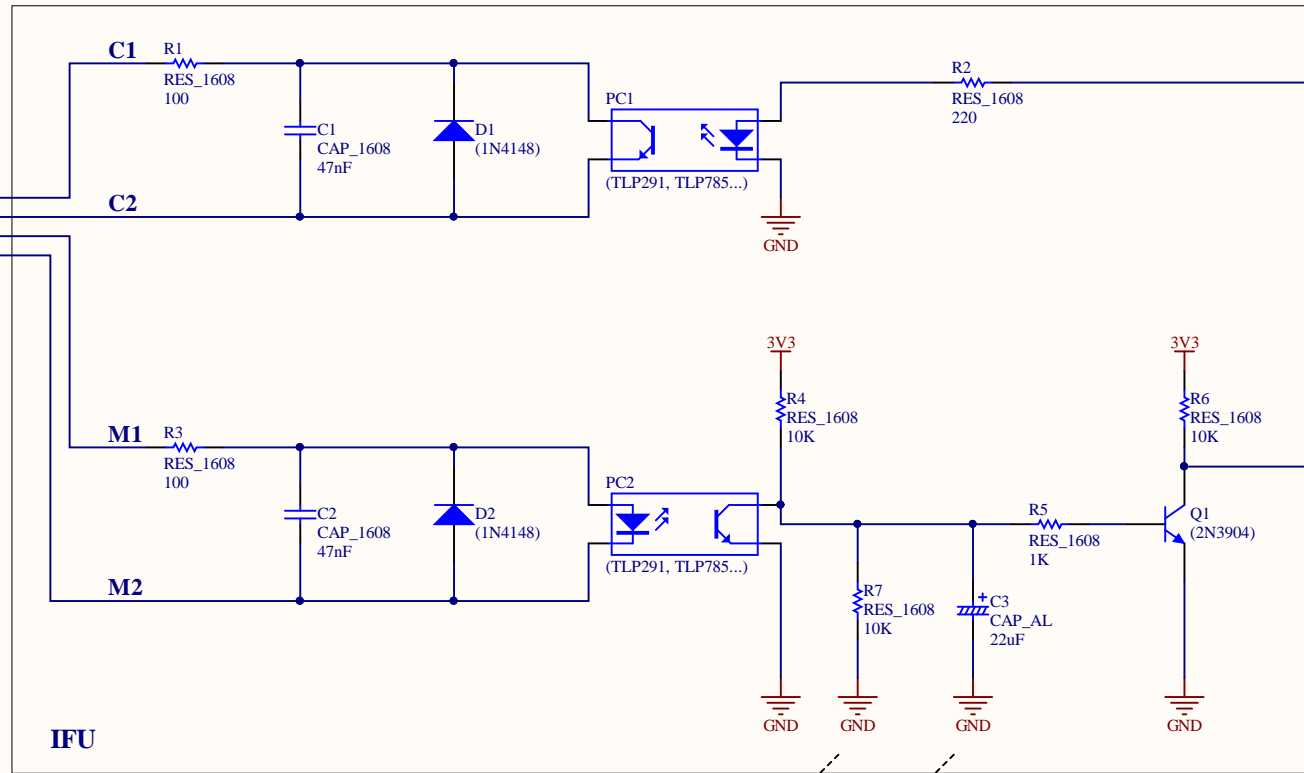
JEM-A HA



IFU RJ



(1.9m Cable)
WTF47204WK
Compatible



3.3V Interface

Optional (Dynamic)
R7, C3

HTLAB.NET

Title		
HA JEM-A MCU Interface		
Size	Number	Revision
A4		
Date:	2024/11/06	Sheet of
File:	C:\Users\...\JEM-A_HA_MCU_Interface.SchDoc	