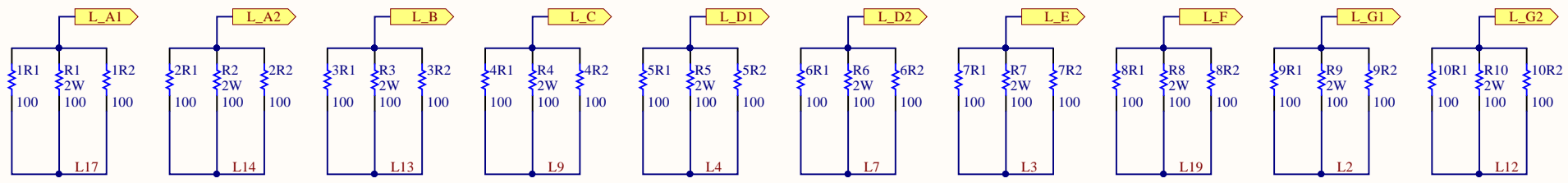


Title		
Size A4	Number	Revision
Date: 2016/08/06	Sheet of	
File: C:\Users\...\16_Segment_9_Digit_Display_Driver\Board\SchDoc		

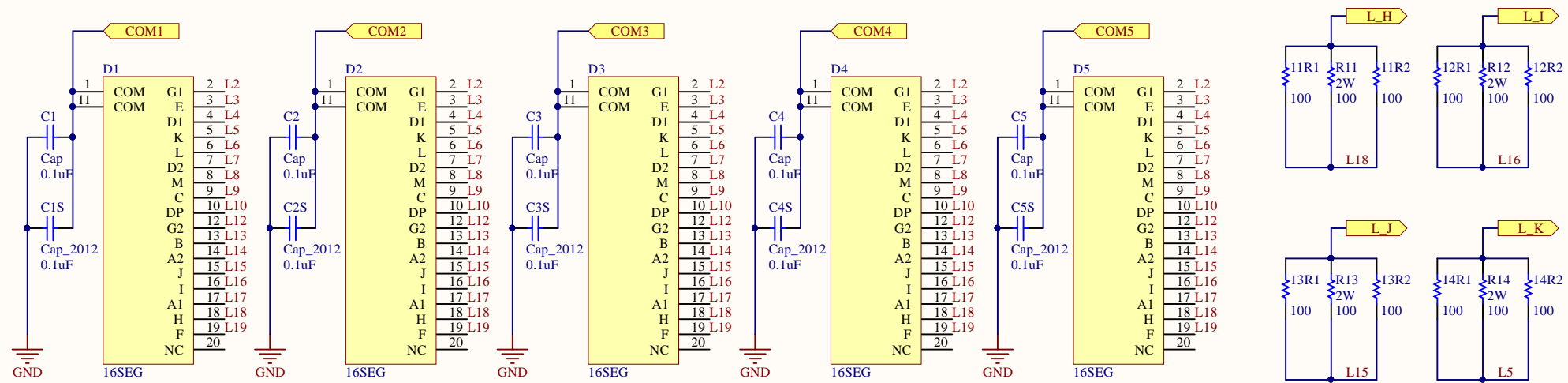
A

A



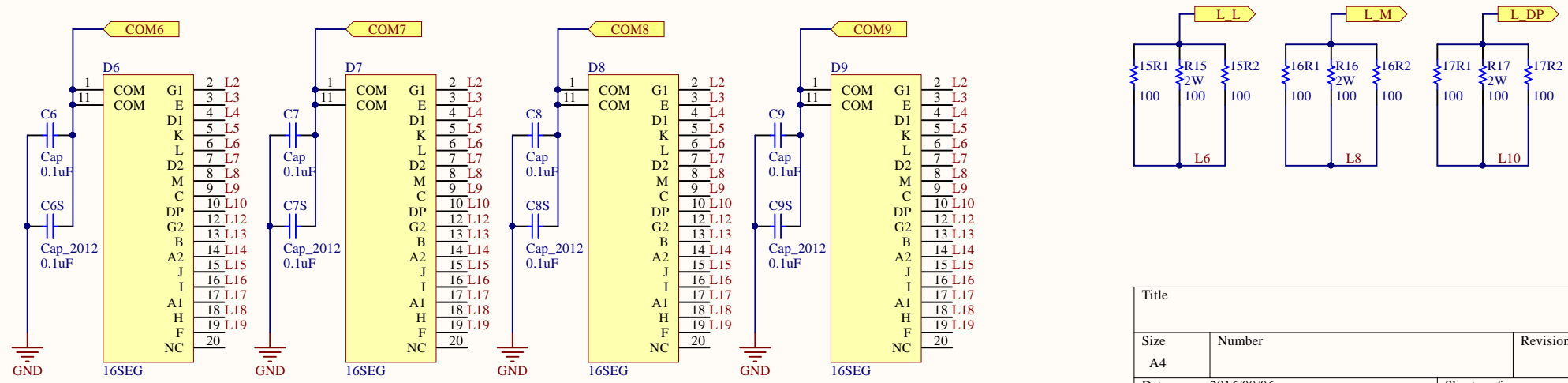
B

B



C

C



D

D

Title		
Size	Number	Revision
A4		
Date:	2016/08/06	Sheet of
File:	C:\Users\...\16_Segment_9_Digit_Display_Board\ByED.1.SchDoc	